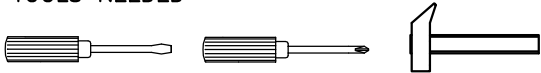


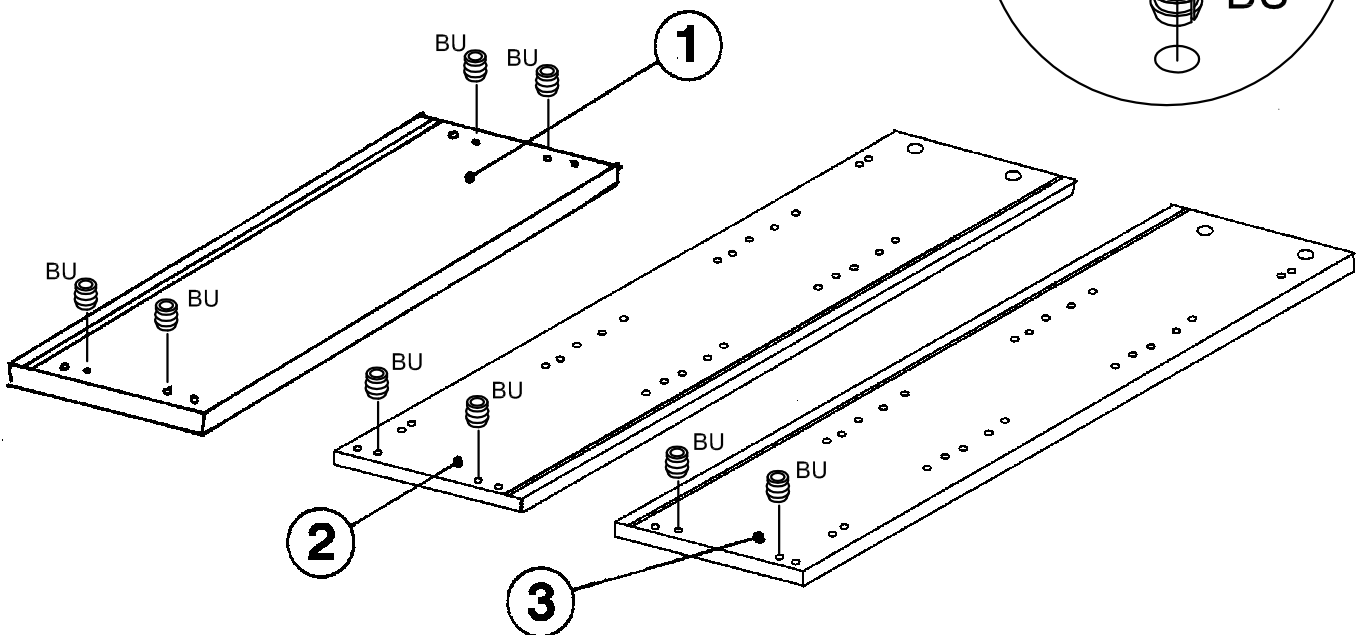
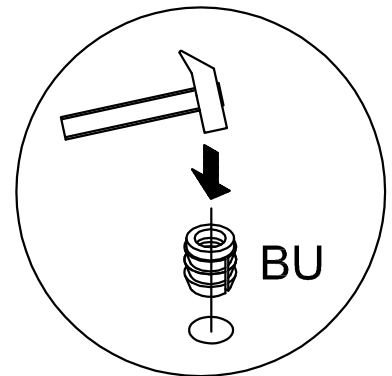
UTENSILI NECESSARI – OUTILS NECESSAIRES
TOOLS NEEDED



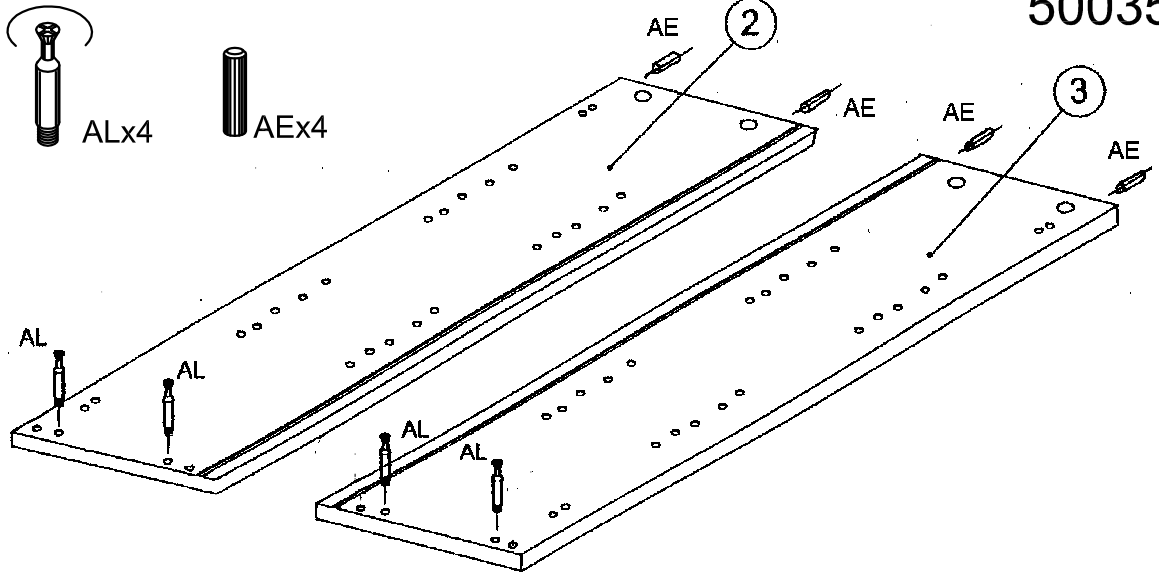
AE 10 	AL 8 	AM 8 	PA 4 	KF 8 	KG 8 	KH 12 	WE 1 	HH 4 	VK 4
--------------	-------------	-------------	-------------	-------------	-------------	--------------	-------------	-------------	-------------

BU 8

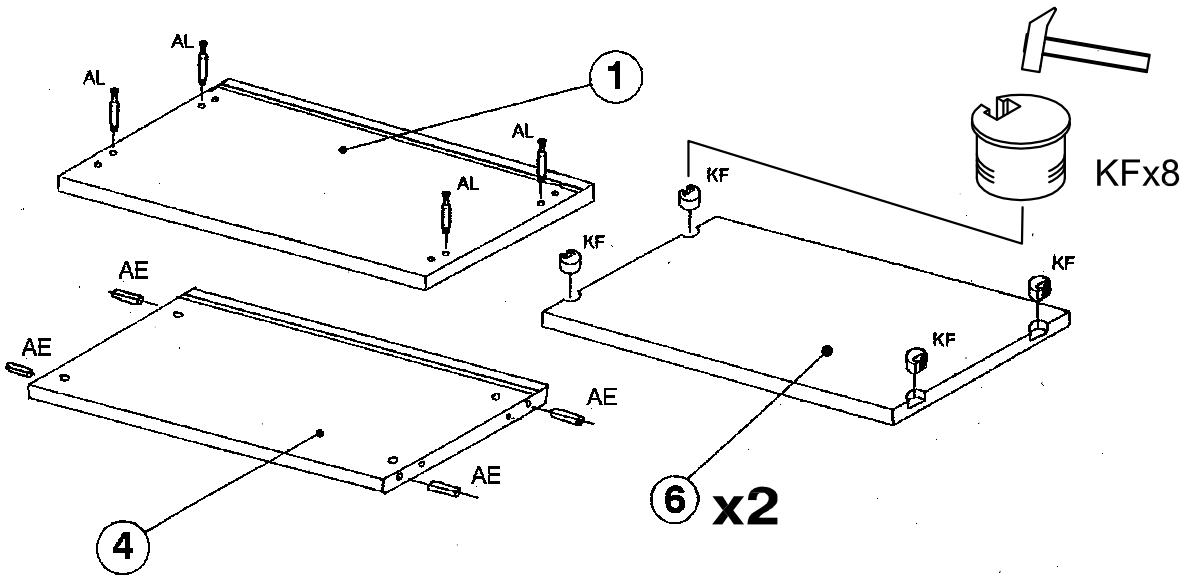
1



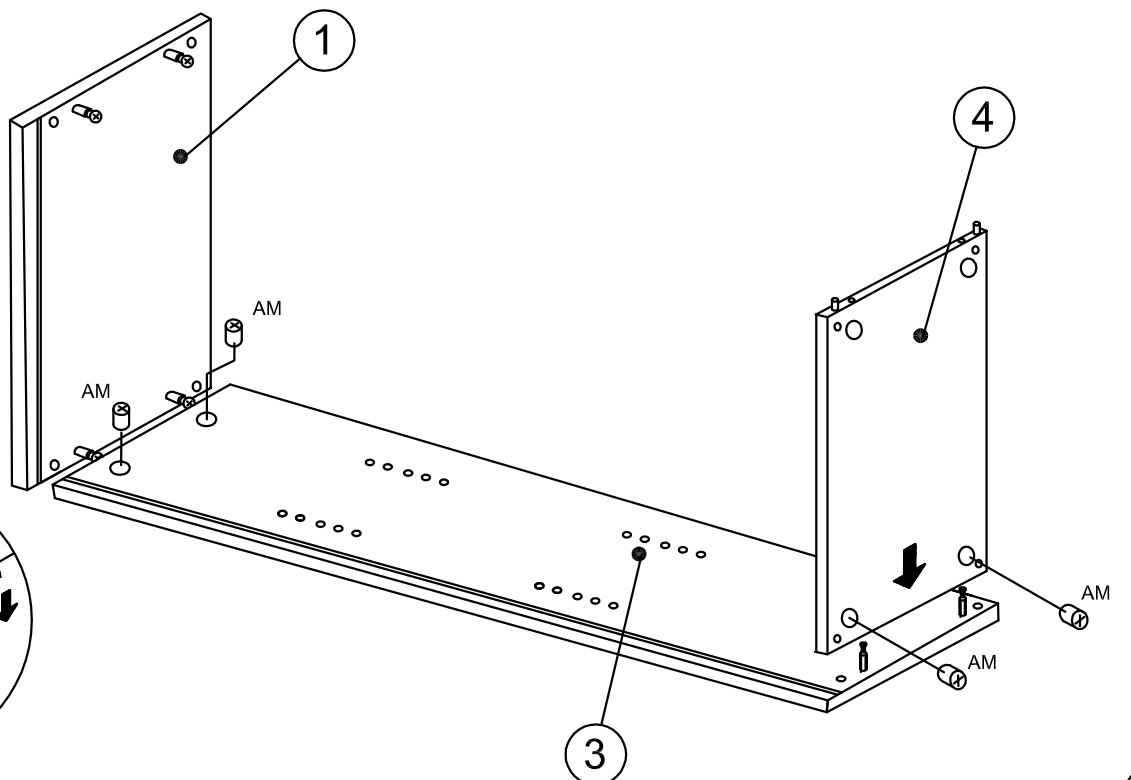
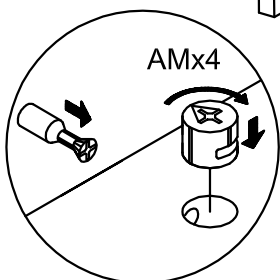
2



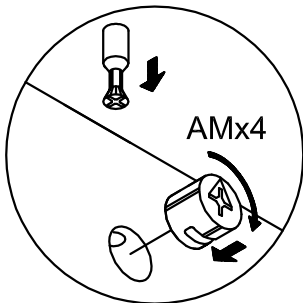
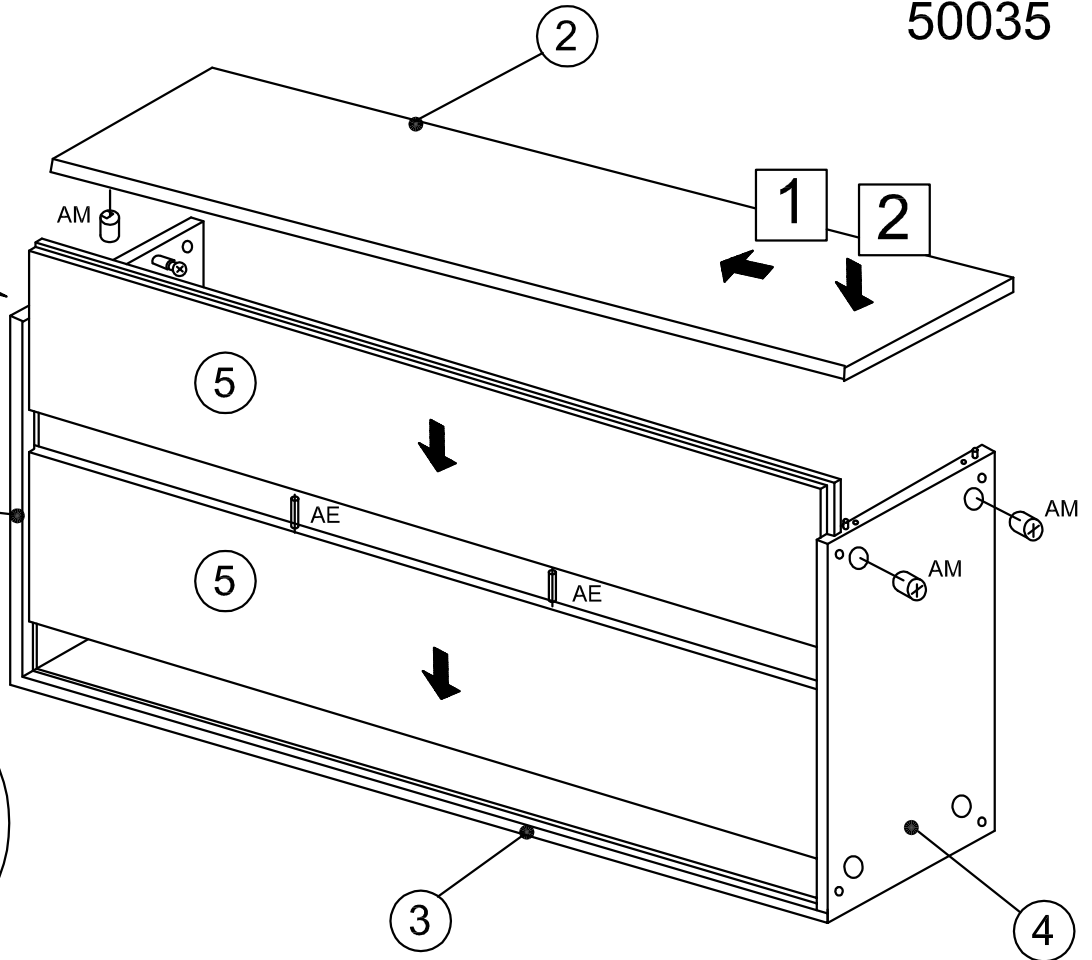
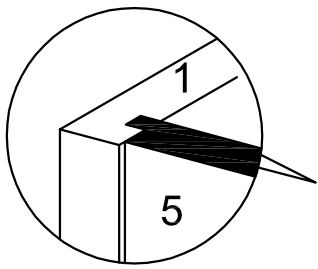
3



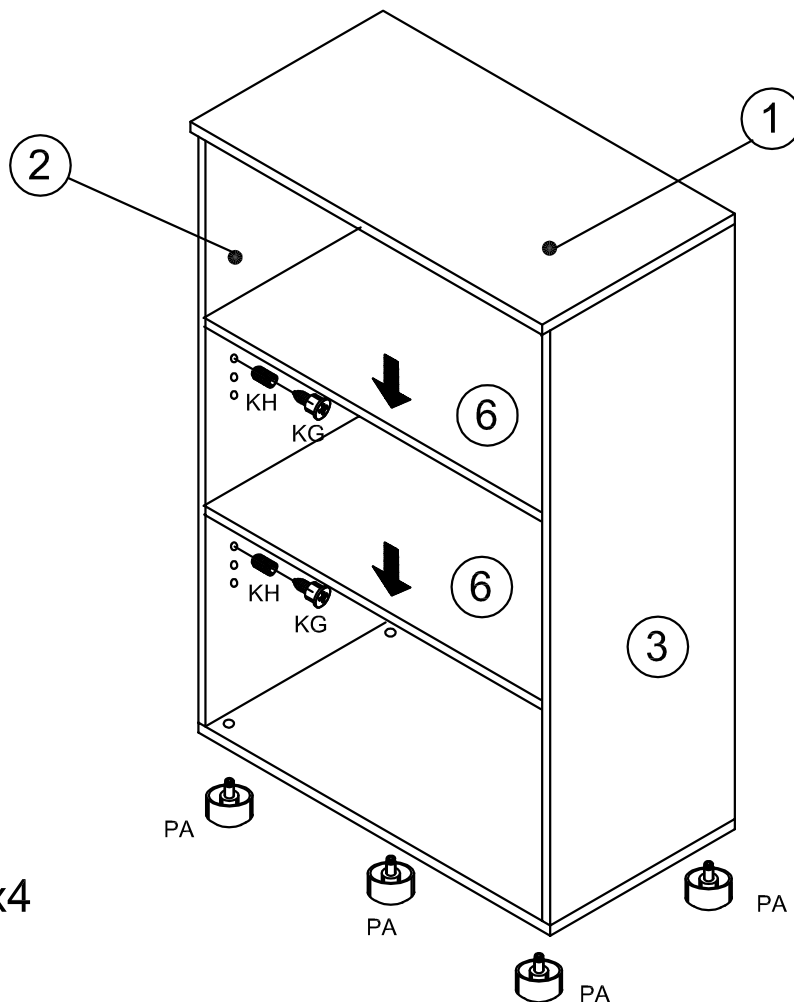
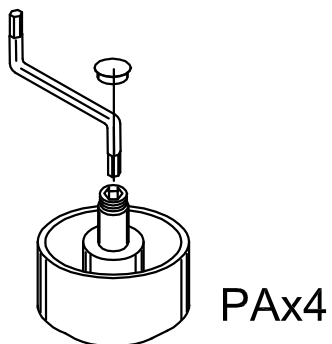
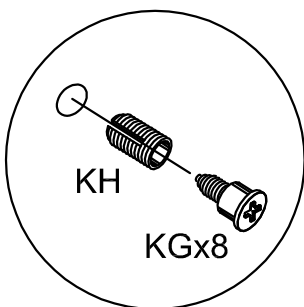
4



5



6

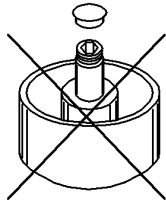


7

OPZIONE
OPTION

50035

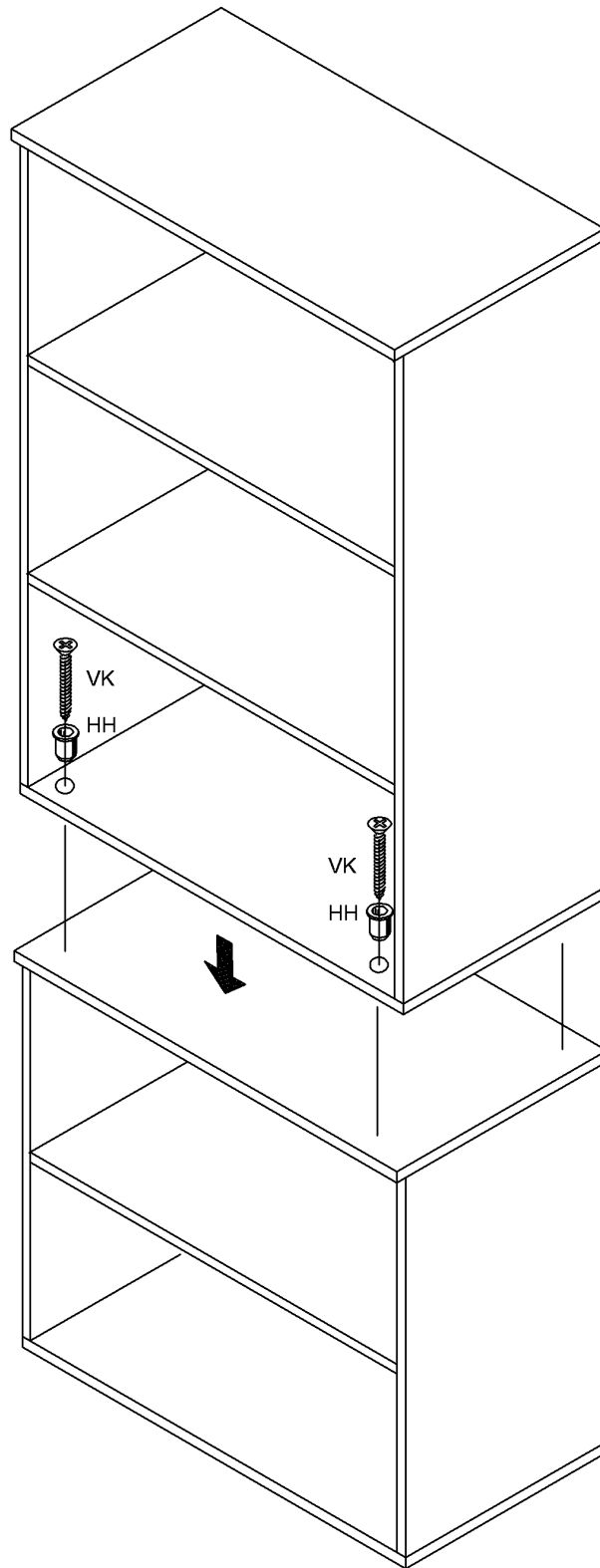
60035



VKx4



HHx4



60030