

# ENERGIZER E95

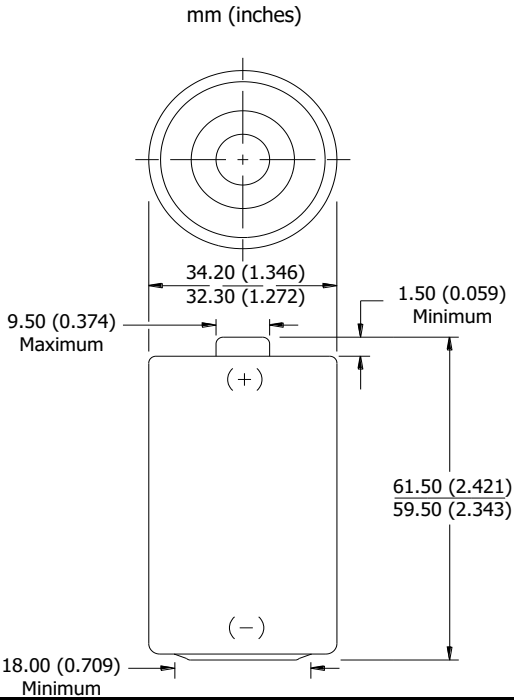


**D**

## General Information

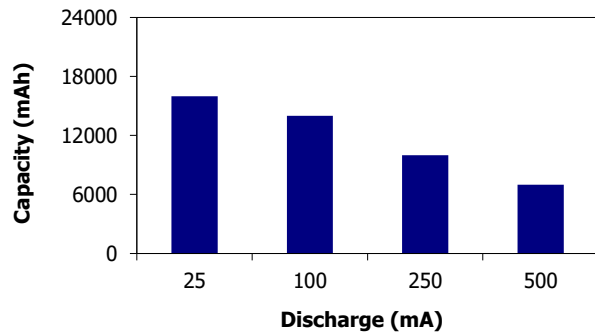
<b>Classification:</b>	Alkaline
<b>Chemical System:</b>	Zinc-Manganese Dioxide (Zn/MnO <sub>2</sub> ) No added mercury or cadmium
<b>Designation:</b>	ANSI-13A, IEC-LR20
<b>Nominal Voltage:</b>	1.5 volts
<b>Operating Temp:</b>	-18°C to 55°C (0°F to 130°F)
<b>Typical Weight:</b>	139 grams
<b>Typical Volume:</b>	56 cubic centimeters
<b>Shelf Life:</b>	10 years at 21°C
<b>Terminal:</b>	Flat Contact

## Industry Standard Dimensions

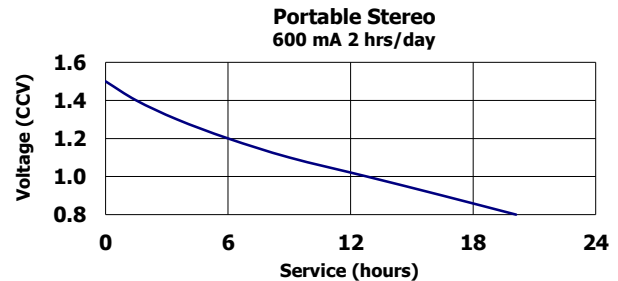
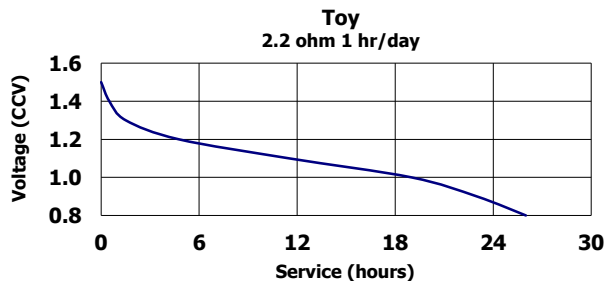
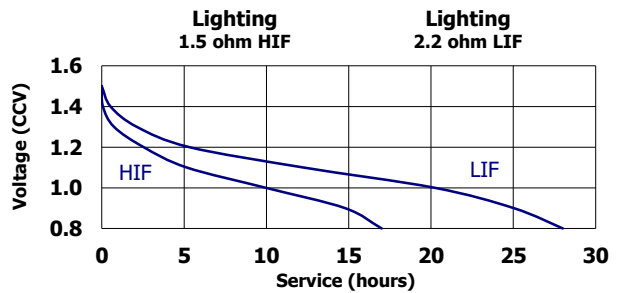
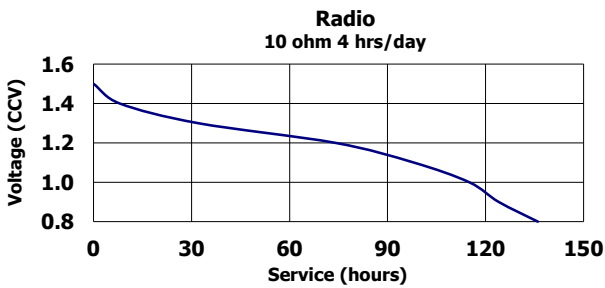


## Milliamp-Hours Capacity

Continuous discharge to 0.8 volts at 21°C



## Industry Standard Tests (21°C)



## Important Notice

This datasheet contains typical information specific to products manufactured at the time of its publication.  
**Contents herein do not constitute a warranty and are for reference only.**